

Electric Hot Air Dryer

SUNG YEOU ENTERPRISE CO., LTD.

NO. 19 LANE 172 SECTION 3, JIBH SHOU ROAD,

SAN SHYA, TAIPEI HSIEN, TAIWAN, R. O. C.

TEL : 886-2-8676-3589 FAX : 886-2-8676-6207

E-MAIL : sungyeou@ms64.hinet.net



SY-40



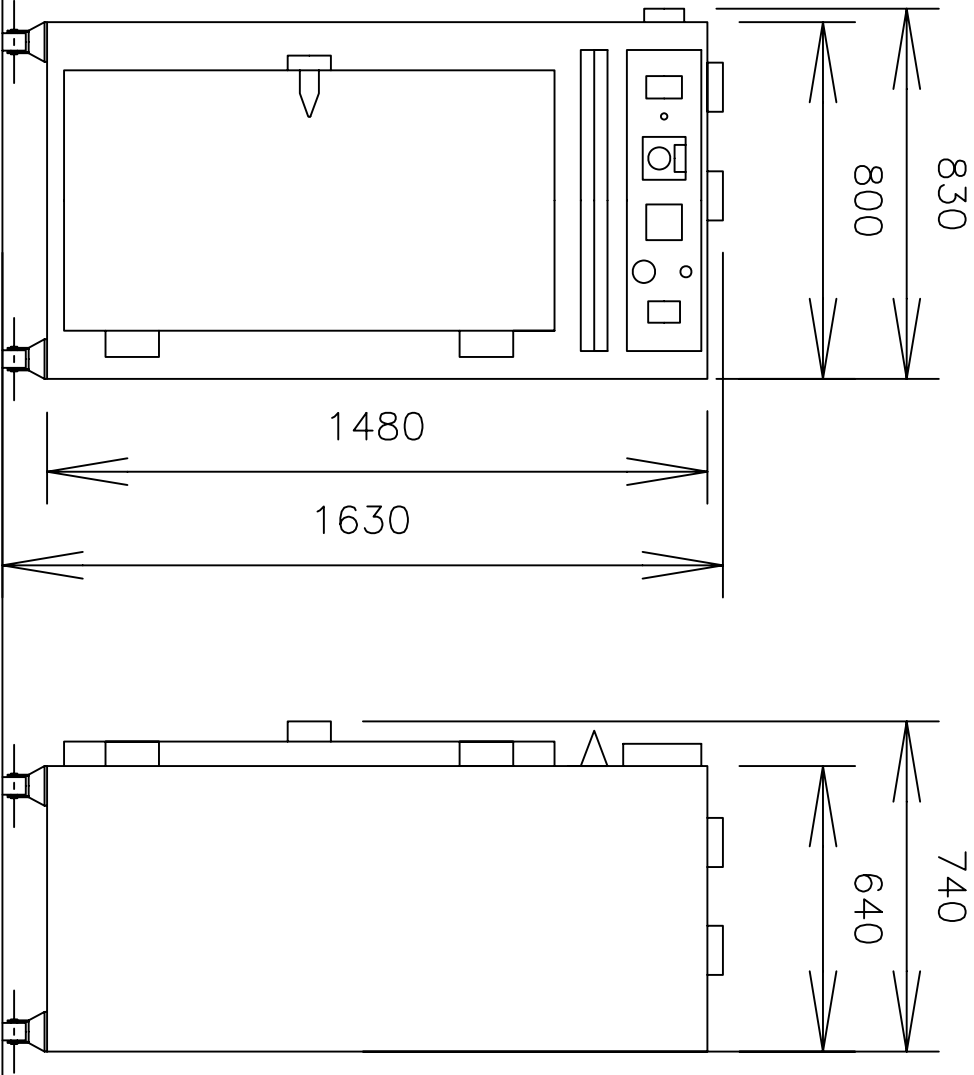
SY-80

Electric Hot Air Dryer

1. Stainless steel heater tubes are used.
2. Layered-plate cart is designed in mother-son style convenient for moving. (The designed can be made based on the requirements at site.)
3. Layered-plate: stainless steel plates, meshed plates or punched-hole plates are available.
4. Temperature ranging from room temperature to 150°C is available.
5. Thermo controller: knob control and digital display (PID device is optional.)
6. Liquid-expansion thermo controller is used for overheating protection.
7. When the thermo controller is malfunctioned, the dryer automatically switches to liquid-expansion thermo controller, which operates independently.
8. Air inlet and outlet can be adjusted proportionately.
9. Various specifications are available based on working sites.

Specifications:

	SY-40	SY-80
External size	L 830 mm X W 740 mm X H 1630 mm	L 1190 mm X W 930 mm X H 1940 mm
Internal size	L 580 mm X W 590 mm X H 980 mm	L 650 mm X W 760 mm X H 1300 mm
Layered-plate size	L 500 mm X W 540 mm X H 35 mm X 10 layers	L 550 mm X W 650 mm X H 40 mm X 15 layers
Power used	Single / three phase AC 220V/380V	
Electric power	4.2KW	8KW
Windmill horsepower	1/4HP	1HP



松羽企業有限公司

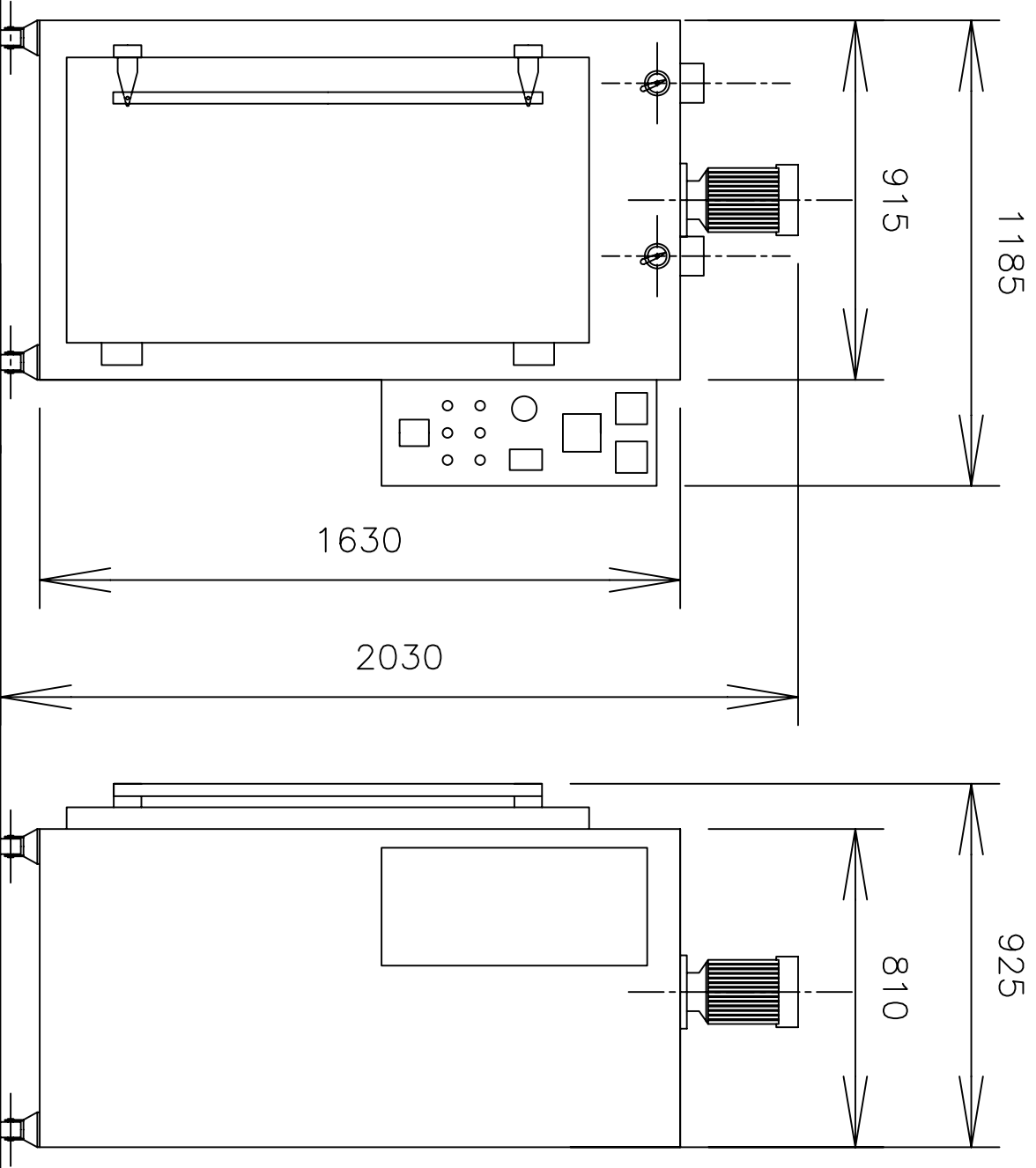
TEL: 886-2-86763589
FAX: 886-2-86766207

圖名

SY-40

圖號

修正



△ △
修正

崧羽企業有限公司

TEL: 886-2-86763589
FAX: 886-2-86766207

鄭鎰銓

圖 名
圖 號

SY-80