

Panning Machine



SUNG YEOU ENTERPRISE CO., LTD.

NO. 19 LANE 172 SECTION 3, JIBH SHOU ROAD, SAN

SHYIA TOWN, TAIPEI COUNTY, TAIWAN, R. O. C.

TEL : 00886-2-8676-3589 FAX : 00886-2-8676-6207

E-MAIL : sungyeou@ms64.hinet.net

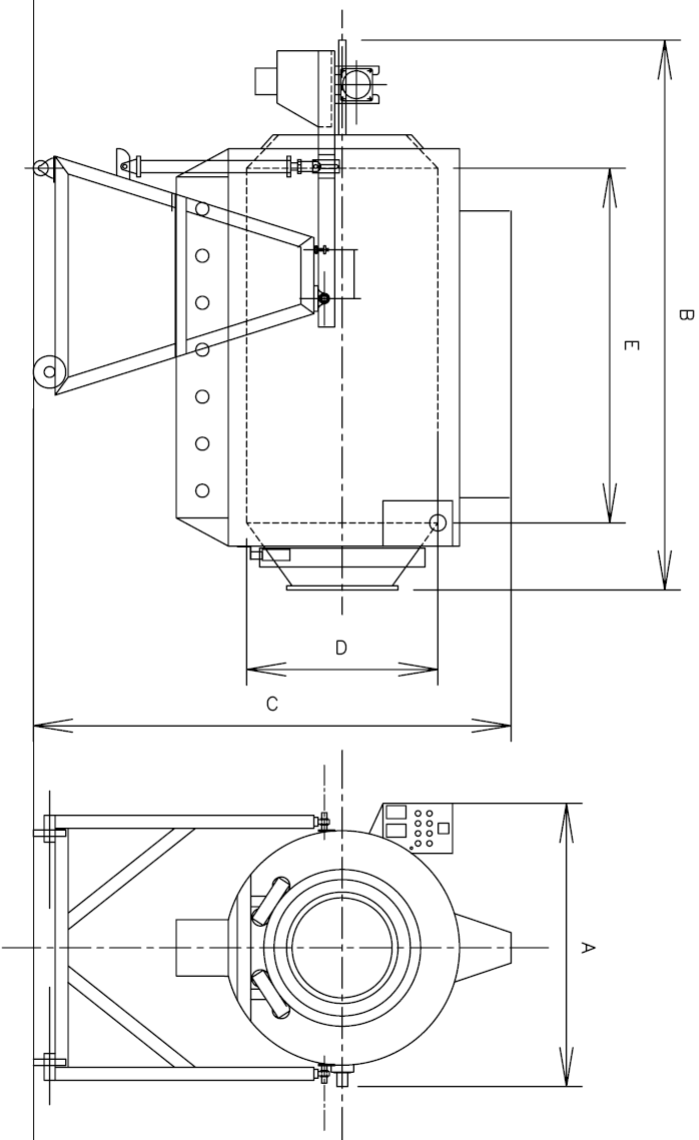
Panning machine

- Uses: for drying food such as tea leaves, tobacco, laver, peanuts, sesame, flour, wheat germ and Chinese herbal medicine, etc.
 - Each switch is set up independently. The switches for roller, gas, ignition, windmill, etc are installed on the same panel for the convenience of operation.
 - The device for air inlet and outlet is installed for discharge moisture.
 - Temperature range: room temperature ~ +350°C
 - Heating method: by gas
 - Heat isolation: the exterior roller is layered with imported high-density fiber glass to keep internal heat so as to save energy.
 - The exterior material of roller is SUS304 stainless steel
 - The interior material of roller is SUS304 stainless steel or SS41 steel
 - Various specifications are available based on working sites.
- Remark: automatic thermo control unit and automatic pouring unit are optional

Specifications:

	SP-10	SP-20	SP-30	SP-40
Length (L)	1600 mm	2000 mm	2500 mm	2540 mm
Width (W)	1060 mm	1060 mm	1200 mm	1310 mm
Height (H)	1600 mm	1800 mm	1900 mm	2200 mm
Power used	Single phase AC 110V/220V			
Electrical power	0.6KW	0.75KW	0.75KW	0.75KW

	A	B	C	D	E
SYP-10	1060	1600	1600	730	850
SYP-20	1060	2000	1800	730	1230
SYP-30	1200	2450	1900	780	1510
SYP-40	1310	2540	2200	880	1510



△		松羽企業有限公司	繪圖單位	鄭鏗銓	圖名	滾筒式炒鍋
△						
修正		TEL: 886-2-86763589 FAX: 886-2-86766207	日期	2007.01.26	圖號	